

# JVC

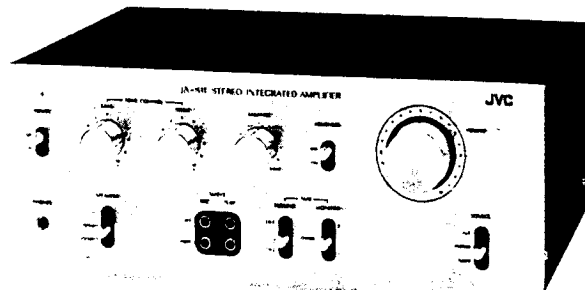
For Service Manuals Contact  
MAURITRON TECHNICAL SERVICES  
8 Cherry Tree Rd, Chinnor  
Oxon OX9 4QY  
Tel:- 01844-351694 Fax:- 01844-352554  
Email:- enquiries@mauritron.co.uk

# SERVICE MANUAL

MODEL

## JA-S11

STEREO INTEGRATED AMPLIFIER



No. 2379-B  
March 1977

15  
3-7

# Contents

	Page
Specifications . . . . .	2
Removal of Top Cover and Bottom Plate . . . . .	3
Main Parts Location . . . . .	3
Exploded Views and Part Numbers	
(1) Front . . . . .	5
(2) Rear . . . . .	6
(3) Chassis Base . . . . .	7
(4) Power Transformer . . . . .	8
Special Parts List with Specified Numbers by Areas (table 2) . . . . .	8
Printed Circuit Board Ass'y and Parts List	
(1) TXX-32 (TAP-264 and TAC-413) Main and Tone Control P.C. Board Ass'y . . . . .	9
(2) TPS-69 AC Primary P.C. Board Ass'y . . . . .	13
(3) TPS-70 AC Primary P.C. Board Ass'y . . . . .	13
JA-S11 Schematic Diagram . . . . .	14
JA-S11 Schematic Diagram for U.S.A. . . . .	15
Packing Materials . . . . .	16
Accessories List . . . . .	16

# Specifications

## Power Amplifier Section

- Output Power (both channels driven) : 30 watts per channel, min. RMS into 8 ohms, from 20Hz – 20kHz with no more than 0.1% total harmonic distortion  
33 watts per channel into 8 ohms at 1kHz. THD = 0.1%
- Total Harmonic Distortion (at 30W) (both channels driven) : 0.05% at 1kHz
- Intermodulation distortion : 0.1% at rated output
- Load Impedance : 4Ω – 16Ω (SYSTEM-1 or SYSTEM-2)  
8Ω – 16Ω (SYSTEM-1 + 2)
- Damping Factor : More than 30 at 8Ω (20Hz – 20kHz)

## Pre-Amplifier Section

- Input Sensitivity/Impedance : PHONO 2.5mV/47kΩ  
AUX, TUNER, TAPE PLAY 150mV/50kΩ
- Output Level : TAPE REC.-1, -2 150mV  
DIN REC. 30mV
- Phono Equalizer Deviation : ±0.5dB from RIAA curve (25Hz – 15kHz)
- Phono Overload : 150mV (RMS) at 1kHz, 420mV (P-P)
- Signal to Noise Ratio : PHONO 65dB (RMS)  
AUX 85dB (RMS)
- Frequency Response : AUX, TUNER, TAPE PLAY 25Hz – 40kHz  $\begin{matrix} +0 \\ -1 \end{matrix}$  dB
- Loudness Control : +6dB at 100Hz  
+4dB at 10kHz
- Tone Controls : Bass ±8dB at 100Hz  
Treble ±8dB at 10kHz

- Power Source : Refer to table 1 listed below
- Power Consumption : Refer to table 1 listed below
- Dimensions : 5-3/32"(H) x 15-11/32"(W) x 13"(D)  
(15.2cm x 39.0cm x 33.0cm)
- Weight : 15.4 lbs. (7.0kg)

For Service Manuals Contact  
**MAURITRON TECHNICAL SERVICES**  
 8 Cherry Tree Rd, Chinnor  
 Oxon OX9 4QY  
 Tel:- 01844-351694 Fax:- 01844-352554  
 Email:- enquiries@mauritron.co.uk

	U.K. Australia	European continent Scandinavian countries Finland	U.S.A.	Other countries except Canada
Power supply	AC 240V, 50Hz	AC 220V, 50Hz	AC 120V, 60Hz	AC 100/120/220/240V, 50/60Hz
Power consumption	300 watts	235 watts	90 watts	235 watts

(Table 1)

# Removal of Top Cover and Bottom Plate

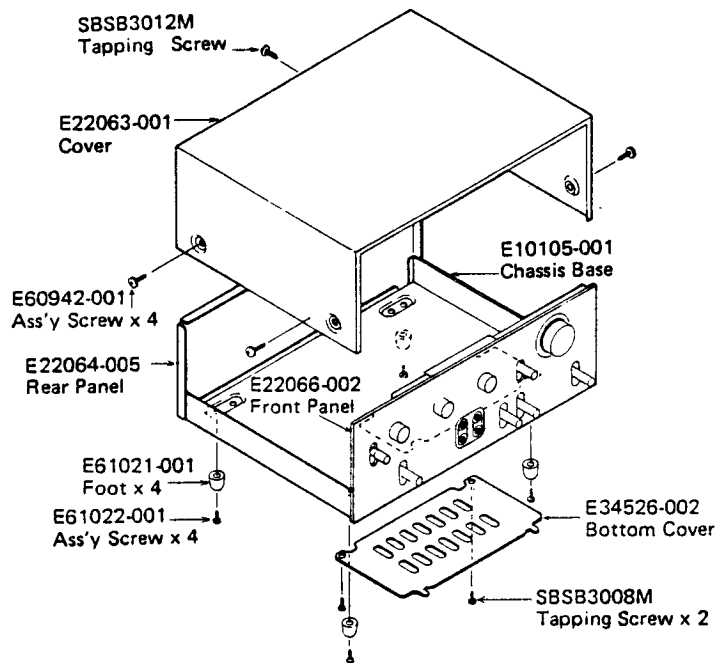


Fig. 1

## Main Parts Location

(For European continent, U.K.  
Scandinavian countries, Finland and Australia)

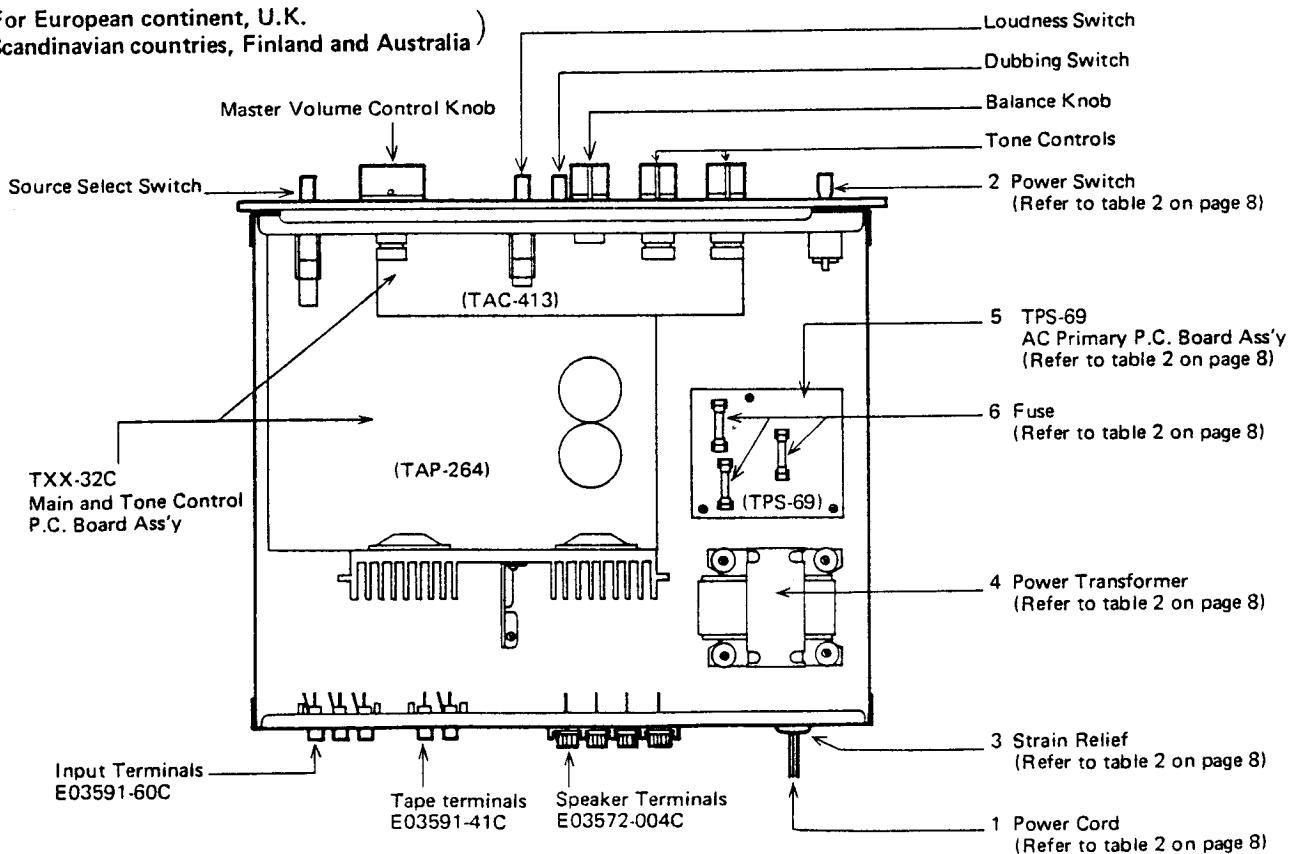


Fig. 2

(For U. S. A.)

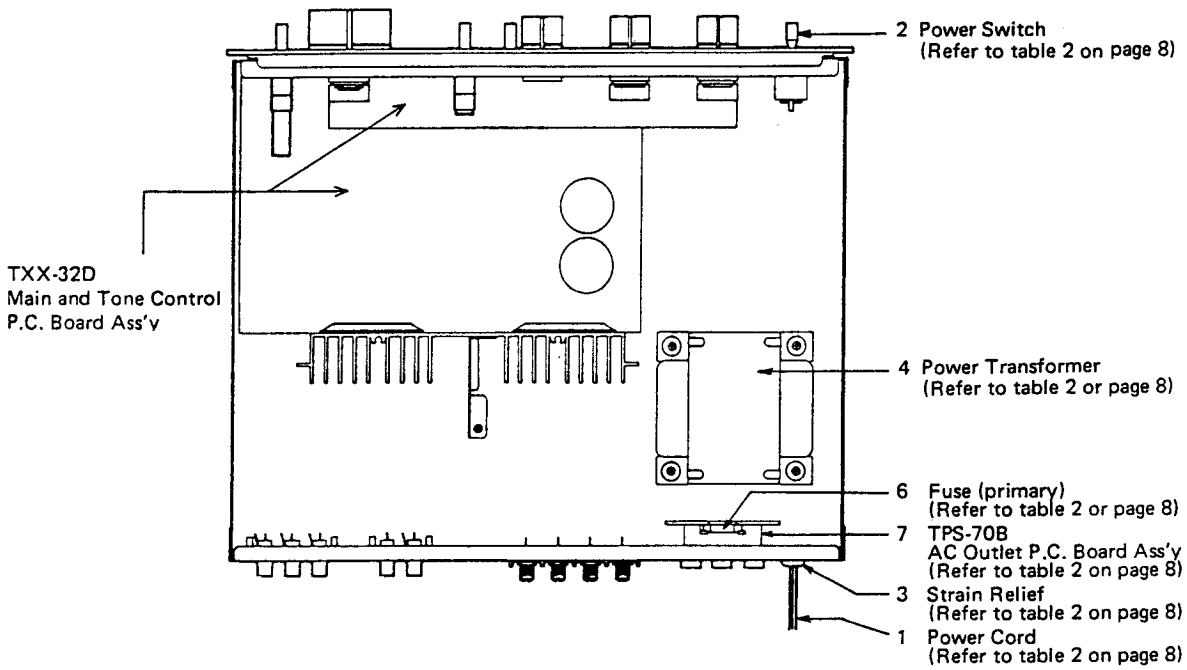


Fig. 3

For Service Manuals Contact  
MAURITRON TECHNICAL SERVICES  
8 Cherry Tree Rd, Chinnor  
Oxon OX9 4QY  
Tel:- 01844-351694 Fax:- 01844-352554  
Email:- enquiries@mauritron.co.uk

(For Other countries except Canada)

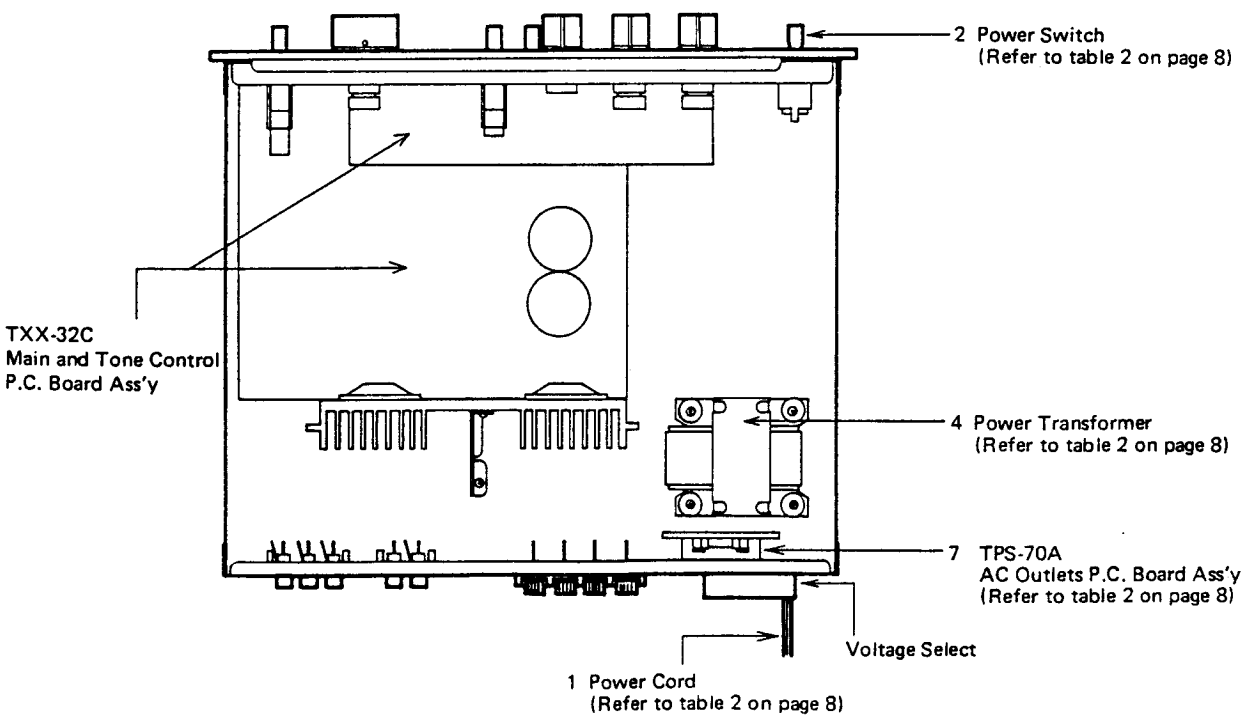


Fig. 4

# Exploded Views and Part Numbers

(1) Front

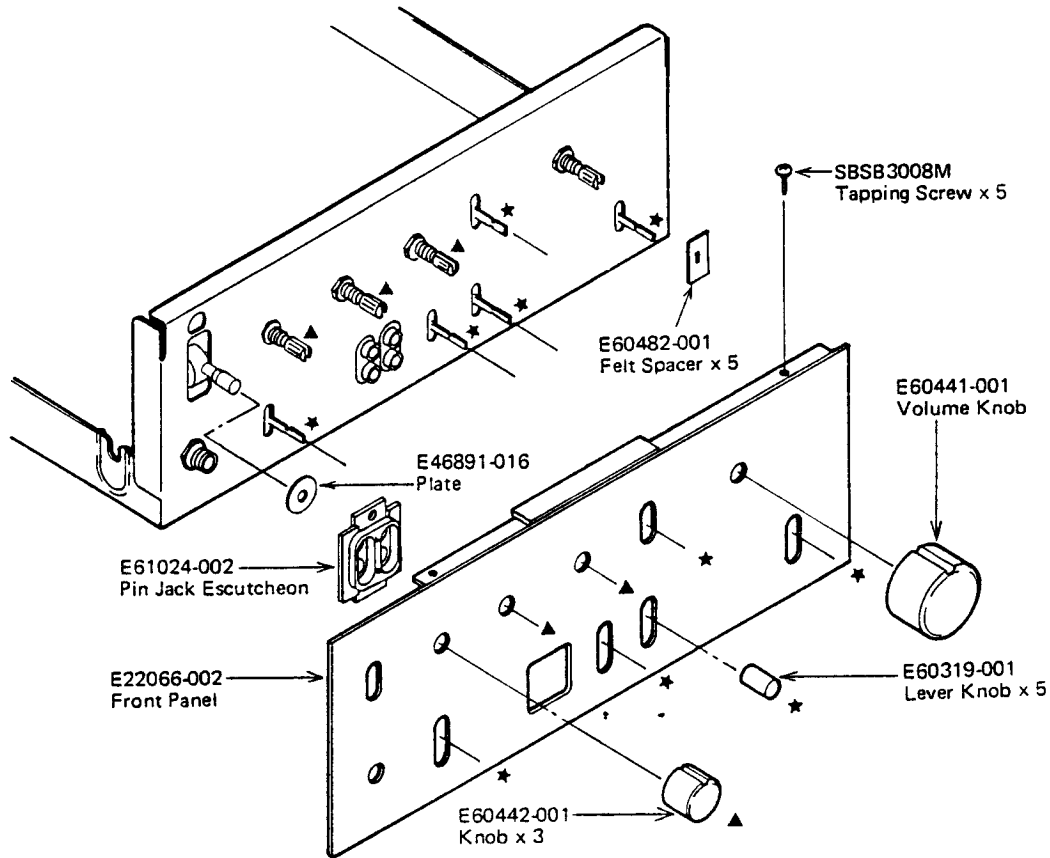


Fig. 5

For Service Manuals Contact  
**MAURITRON TECHNICAL SERVICES**  
 8 Cherry Tree Rd, Chinnor  
 Oxon OX9 4QY  
 Tel: 01844-351694 Fax: 01844-352554  
 Email: enquiries@mauritron.co.uk

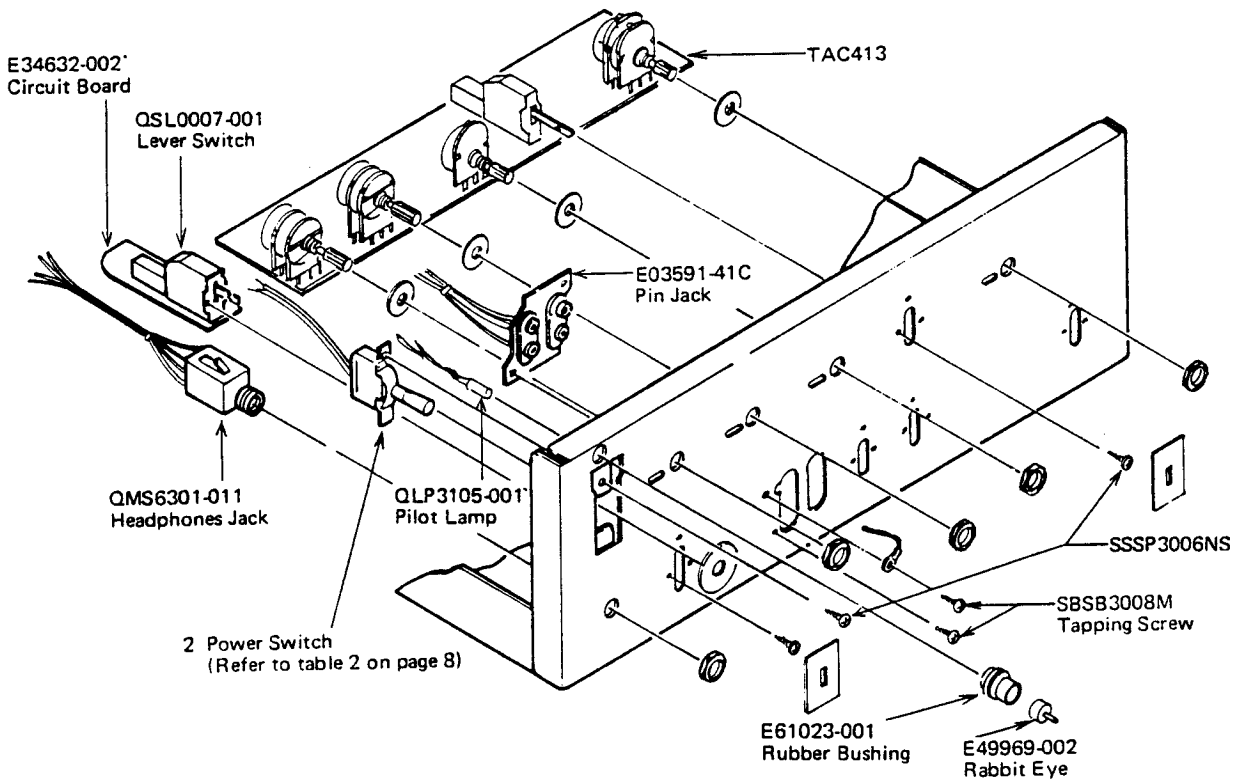


Fig. 6

For Service Manuals Contact  
**MAURITRON TECHNICAL SERVICES**  
 8 Cherry Tree Rd, Chinnor  
 Oxon OX9 4QY  
 Tel:- 01844-351694 Fax:- 01844-352554  
 Email:- enquiries@mauritron.co.uk

(2) Rear

( For European continent, U.K.  
 Scandinavian countries, Finland and Australia )

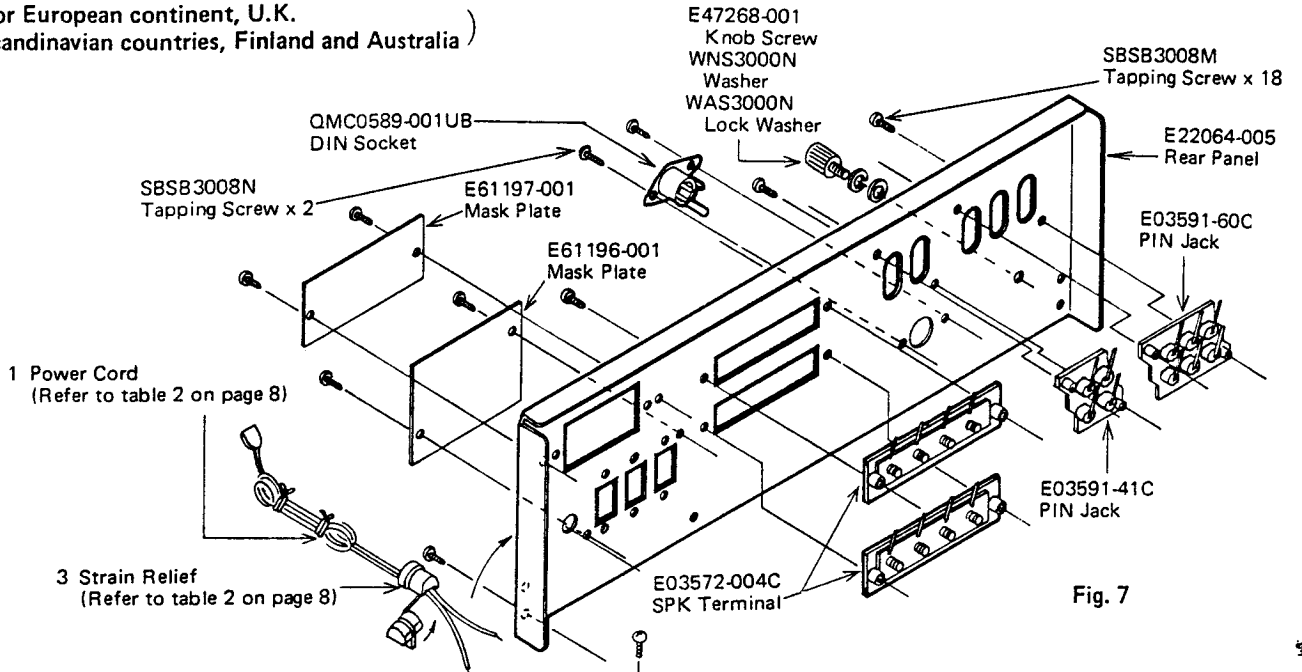


Fig. 7

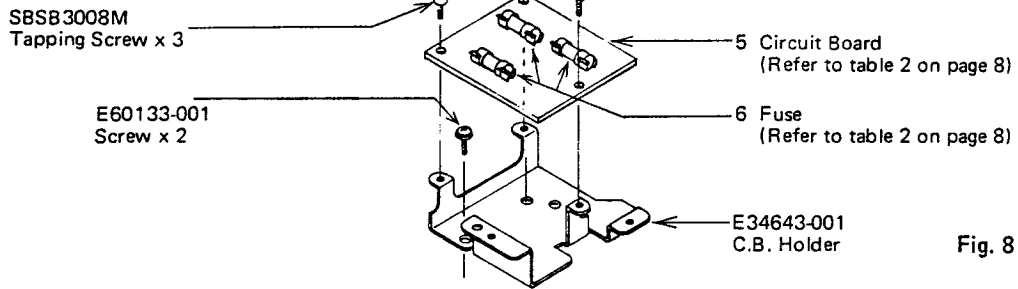


Fig. 8

(2) Rear (for U. S. A.)

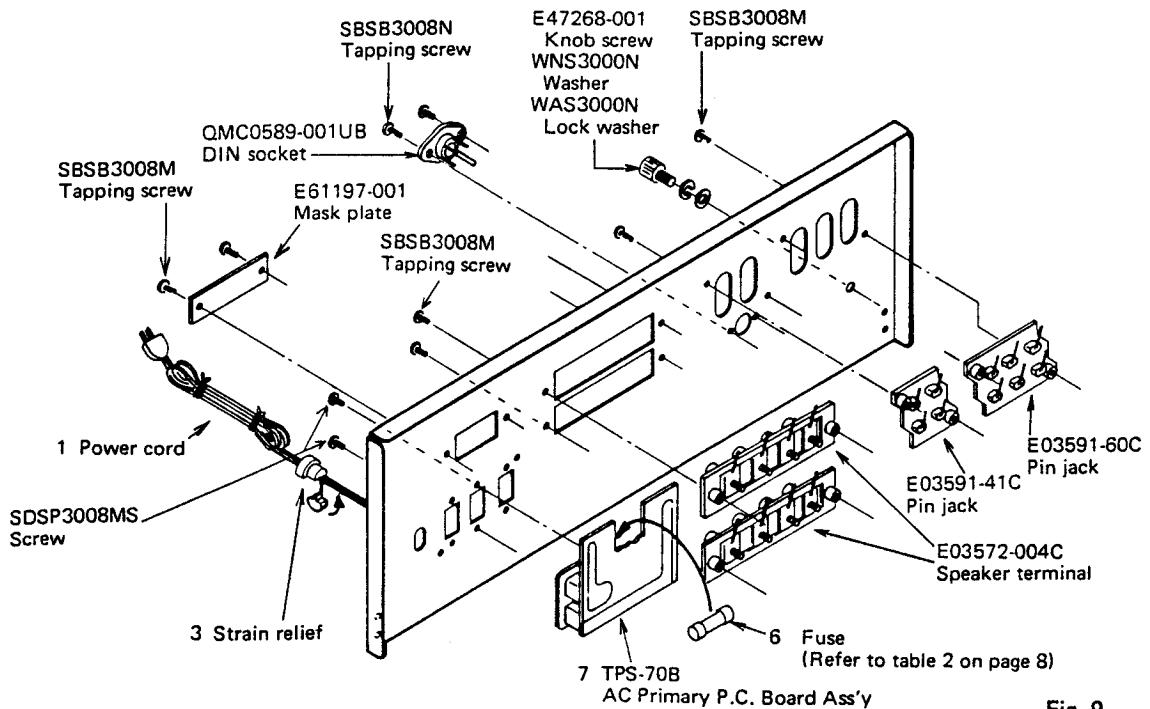


Fig. 9

( For Other countries except Canada )

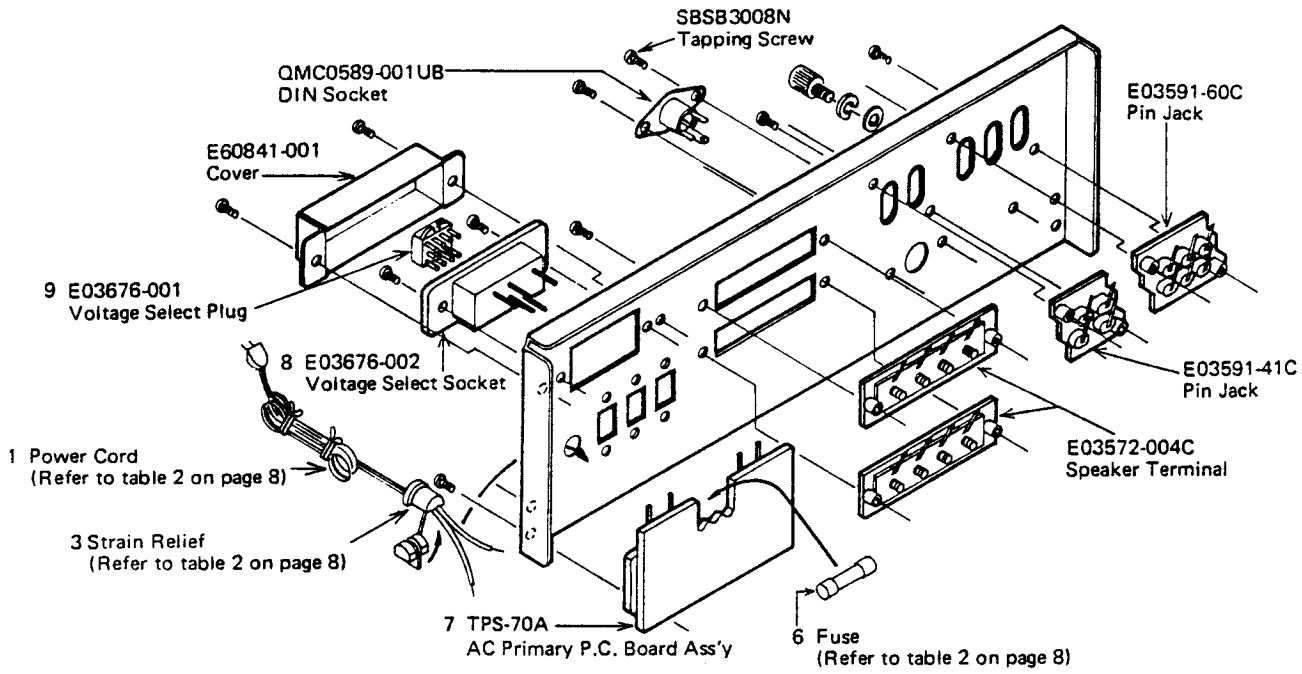


Fig. 10

(3) Chassis Base

For Service Manuals Contact  
**MAURITRON TECHNICAL SERVICES**  
 8 Cherry Tree Rd, Chinnor  
 Oxon OX9 4QY  
 Tel: 01844-351694 Fax: 01844-352554  
 Email: enquiries@mauritron.co.uk

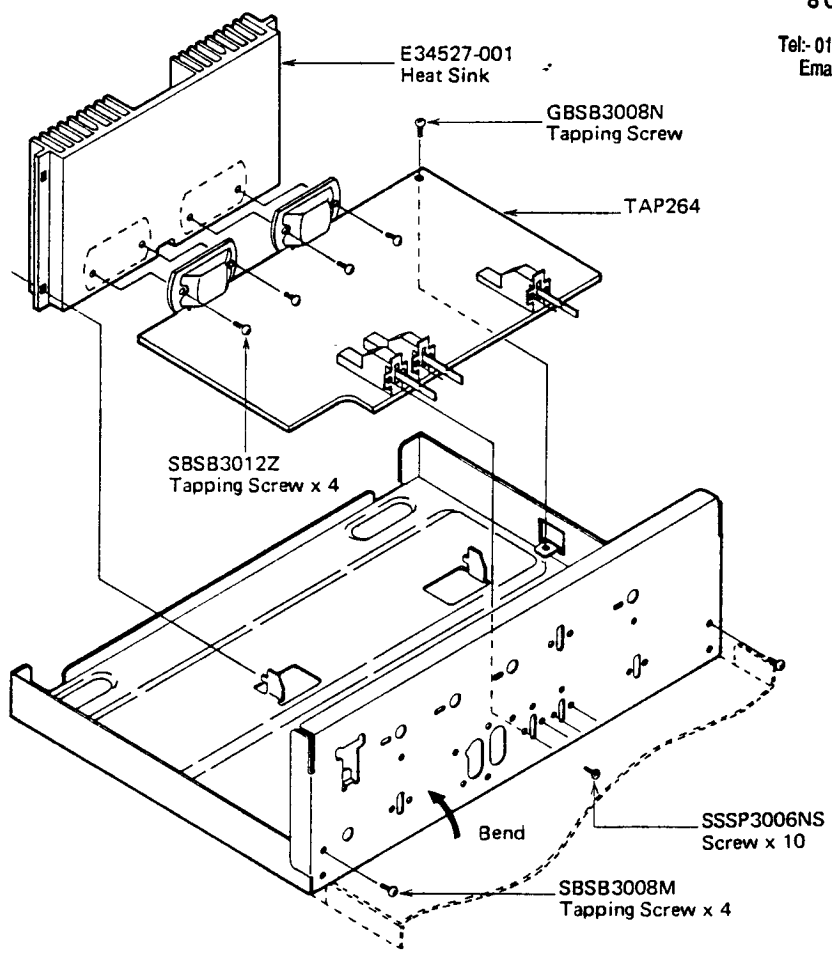


Fig. 11



(4) Power Transformer

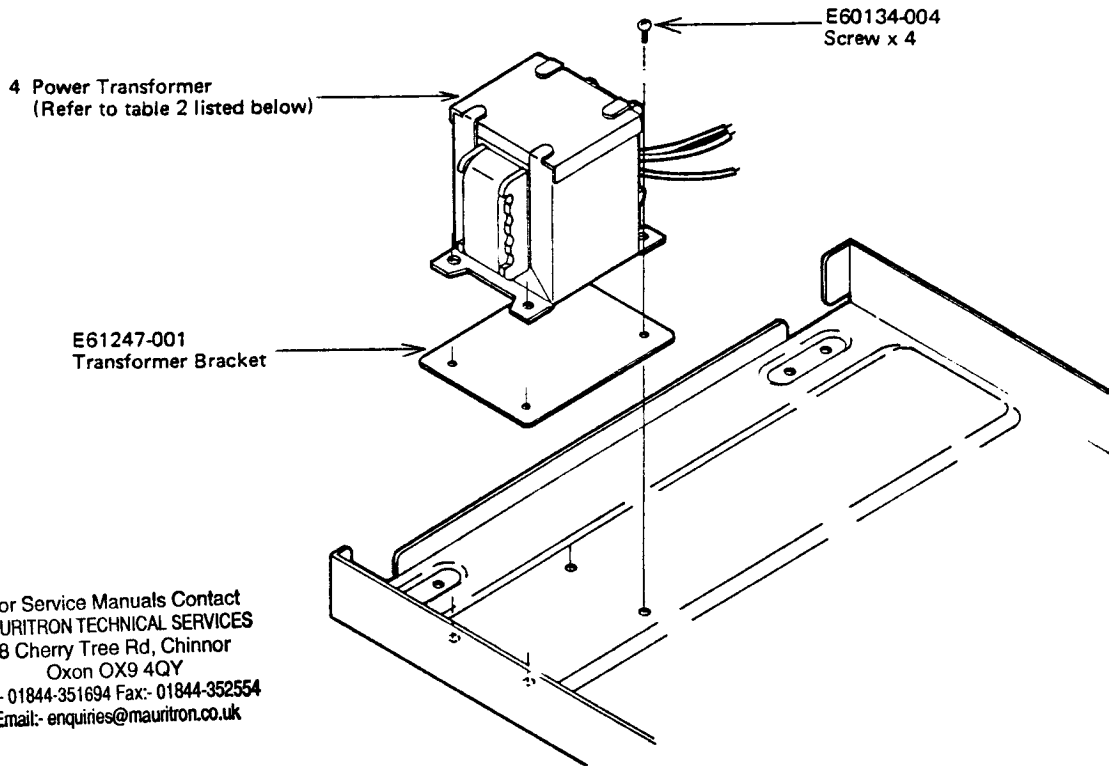


Fig. 12

## Special Parts List with Specified Numbers by Areas

Page	Item No.	Description	Part Number				
			for U.K.	For European continent Scandinavian countries Finland	for Australia	for U.S.A.	for Other countries except Canada
6,7	1	Power Cord	QMP9020-003BS	AMP3910-224	E03551-002	QMP1200-244	QMP1200-244
6,7	2	Power Switch	QSL2235-103BS	QSL2235-103	QSL2235-103	QSL1135-012	QSL1135-011G
6,7	3	Strain Relief	QHS6374-252BS	QHS3876-162	QHS6374-252	QHS3876-162	QHS3876-162
8	4	Power Transformer	E03075-33CBS	E03075-33C	E03075-33C	E03075-33D	E03075-33B
6	5	Circuit Board	E34633-001BS	E34633-001	E34633-001	_____	_____
6,7	6	Fuse (Primary)	QMF51A2-2R0BS (2AT)	QMF51A2-2R0 (2AT)	QMF51A2-2R0 (2AT)	QMF61U1-3R0 (3A 125V)	QMF60S1-3R3 (3.3A 100,120V)
		(Secondary)	QMF51A2-3R15BS (3.15AT)	AMF51A2-3R15 (3.15AT)	QMF51A2-3R15 (3.15AT)	_____	QMF60S1-1R8 (1.8A 220,240V)
6,7	7	AC outlet P.C./ Board Ass'y	_____	_____	_____	TPS-70B	TPS-70A
6,7	8	Voltage Select Plug	_____	_____	_____	_____	E03676-002
6,7	9	Voltage Select Socket	_____	_____	_____	_____	E03676-001

(Table 2)

# Printed Circuit Board Ass'y and Parts List

(1) TXX-32 (TAP-264 and TAC-413)  
Main and Tone Control P.C. Board Ass'y

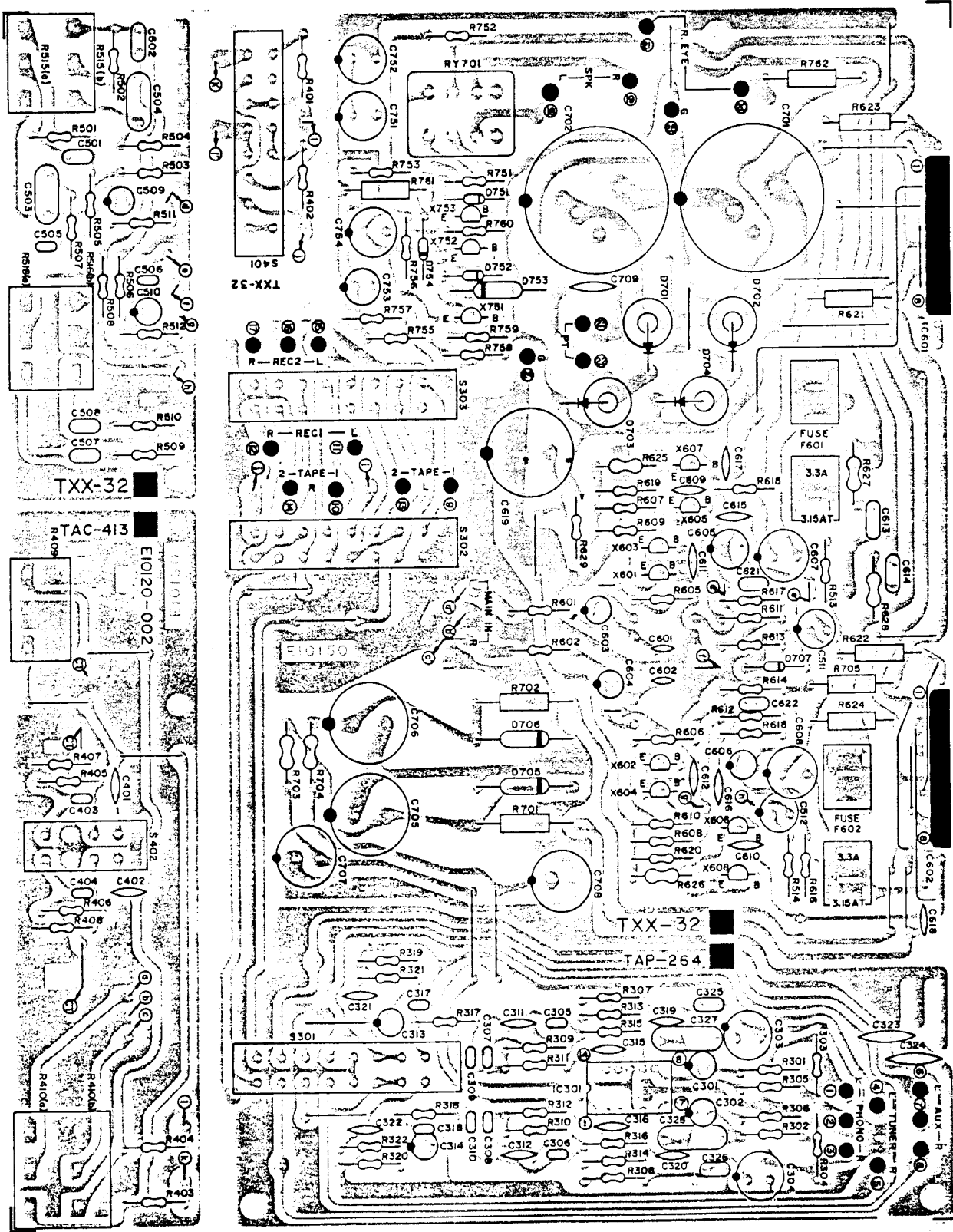


Fig. 13

### Transistors

Item No.	Part No.	Rating		Description	Maker
		Pc	fr		
X601~604	2SC1775AV(F1)	300mW	200MHz	Silicon Transistor	Hitachi
X605,606	2SA872AV(E)	300mW	120MHz	"	"
X607,608	2SB560(E)	750mW	100MHz	"	Sanyo
X751,752	2SC1775AV(F)	300mW	200MHz	"	Hitachi
X753	2SD438(E)	750mW	100MHz	"	Sanyo

### Integrated Circuits

Item No.	Part No.	Rating	Description	Maker
IC301	HA1452W		I.C. (for Equalizer Amp.)	Hitachi
IC601,602	S-40W		I.C. (for Power Amp.)	Sanken

### Diodes

Item No.	Part No.	Rating		Description	Maker
D701~704	MR-1	15V	1W	Silicon Diode	Sanken
D705,706	QEB01-15Z		500mW	Zener Diode	Fuji
D707	WZ-071A	7V		"	JRC
D753	SIB01-02			Silicon Diode	Fuji
D754	1S2473			"	Toyo Dengu

For Service Manuals Contact  
 MAURITRON TECHNICAL SERVICES  
 8 Cherry Tree Rd, Chinnor  
 Oxon OX9 4QY  
 Tel:- 01844-351694 Fax:- 01844-352554  
 Email:- enquiries@mauritron.co.uk

### Resistors

Item No.	Part No.	Rating			Description
R301,302	QRD141J-222	2.2k $\Omega$	$\pm 5\%$	$\frac{1}{4}W$	Carbon Resistor
R303~306	QRD141J-104	100k $\Omega$	"	"	"
R307,308	QRD141J-821	820 $\Omega$	"	"	"
R309,310	QRD141J-393	39k $\Omega$	"	"	"
R311,312	QRD141J-474	470k $\Omega$	"	"	"
R313,314	QRD141J-564	560k $\Omega$	"	"	"
R315,316	QRD141J-182	1.8k $\Omega$	"	"	"
R317,318	QRD141J-470	47 $\Omega$	"	"	"
R319,320	QRD141J-104	100k $\Omega$	"	"	"
R321,322	QRD141J-471	470 $\Omega$	"	"	"
R403,404	QRD141J-472	4.7k $\Omega$	"	"	"
R405,406	QRD141J-683	68k $\Omega$	"	"	"
R407,408	QRD141J-223	22k $\Omega$	"	"	"
R409	QVB8A2W-6F5E	250k $\Omega$ (W)			Variable Resistor (Balance)
R410	QVC4A2B-9F5	250k $\Omega$ (B)			" (Master Volume)
R501,502	QRD141J-823	82k $\Omega$	$\pm 5\%$	$\frac{1}{4}W$	Carbon Resistor
R503,504	QRD141J-182	1.8k $\Omega$	"	"	"
R505,506	QRD141J-123	12k $\Omega$	"	"	"
R507,508	QRD141J-182	1.8k $\Omega$	"	"	"
R509,510	QRD141J-561	560 $\Omega$	"	"	"
R511,512	QRD141J-562	5.6k $\Omega$	"	"	"
R513,514	QRD141J-472	4.7k $\Omega$	"	"	"
R515,516	QVC3A2C-215	100k $\Omega$ (C)			Variable Resistor (Tone)
R601,602	QRD141J-222	2.2k $\Omega$	$\pm 5\%$	$\frac{1}{4}W$	Carbon Resistor
R605,606	QRD141J-184	180k $\Omega$	"	"	"
R607,608	QRD141J-182	1.8k $\Omega$	"	"	"
R611,612	QRD141J-681	680 $\Omega$	"	"	"
R613,614	QRD141J-683	68k $\Omega$	"	"	"

Item No.	Part No.	Rating			Description
R617,618	QRD141J-681	680 $\Omega$	$\pm 5\%$	1/4W	Carbon Resistor
R619,620	QRD141J-182	1.8k $\Omega$	"	"	"
R621,622	QRG017J-392	3.9k $\Omega$	"	1W	Oxide Metal Film Resistor
R623,624	QRG017J-222	2.2k $\Omega$	"	"	"
R627,628	QRD126J-4R7	4.7 $\Omega$	"	1/2W	Uninflammable Carbon Resistor
R629	QRD126J-470	47 $\Omega$	"	"	"
R701,702	QRG027J-821	820 $\Omega$	"	2W	Oxide Metal Film Resistor
R703,704	QRD141J-820	82 $\Omega$	"	1/4W	Carbon Resistor
R705	QRG017J-332	3.3k $\Omega$	"	1W	Oxide Metal Film Resistor
R751,752	QRD141J-563	56k $\Omega$	"	1/4W	Carbon Resistor
R753	QRD141J-223	22k $\Omega$	"	"	"
R755	QRD141J-393	39k $\Omega$	"	"	"
R757	QRD141J-103	10k $\Omega$	"	"	"
R758	QRD141J-564	560k $\Omega$	"	"	"
R759	QRD141J-334	330k $\Omega$	"	"	"
R760	QRD141J-823	82k $\Omega$	"	"	"
R761	QRG017J-181	180 $\Omega$	"	1W	Oxide Metal Film Resistor
R762	QRG027J-681	680 $\Omega$	"	2W	"
R763	QRD141J-104	100k $\Omega$	"	1/4W	Carbon Resistor

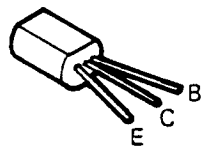
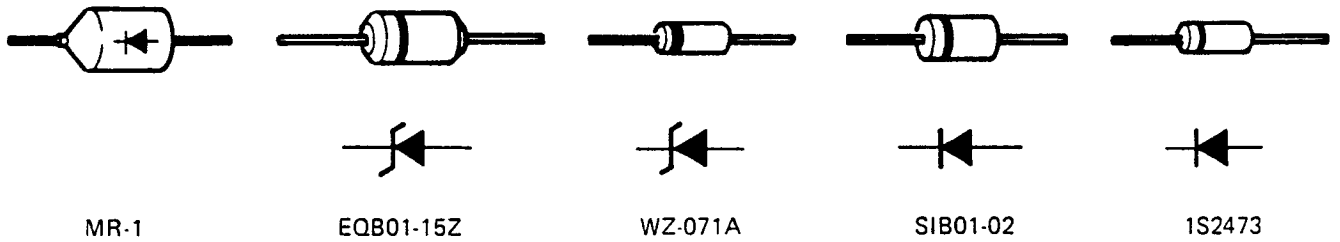
**Capacitors**

Item No.	Part No.	Rating			Description
C301,302	QEB41EM-475	4.7 $\mu$ F	$\pm 20\%$	25V	L.L.C. Electrolytic Capacitor
C303,304	QEB41EM-336	33 $\mu$ F	"	50V	"
C305,306	QFM41HJ-182	1800pF	$\pm 5\%$	"	Mylar Capacitor
C307~310	QFM41HJ-332	3300pF	"	"	"
C311,312	QCS11HJ-820	82pF	"	"	Ceramic Capacitor
C313,314	QEB41EM-225	2.2 $\mu$ F	$\pm 20\%$	25V	L.L.C. Electrolytic Capacitor
C315,316	QCS11HJ-151	150pF	$\pm 5\%$	50V	Ceramic Capacitor
C317,318	QFM41HK-332	3300pF	$\pm 10\%$	"	Mylar Capacitor
C319,320	QCS11HJ-101	100pF	$\pm 5\%$	"	Ceramic Capacitor
C323,324	QCF11HP-473	0.047 $\mu$ F	+100%-0%	"	"
C401,402	QCS11HJ-181	180pF	$\pm 5\%$	"	"
C403,404	QFM41HK-153	0.015 $\mu$ F	$\pm 10\%$	"	Mylar Capacitor
C501,502	QFM41HK-333	0.033 $\mu$ F	"	"	"
C503,504	QFM41HK-224	0.22 $\mu$ F	"	"	"
C505,506	QFM41HK-222	2200pF	"	"	"
C507,508	QFM41HK-223	0.022 $\mu$ F	"	"	"
C509,510	QEW41CA-106	10 $\mu$ F	+100%-10%	16V	Electrolytic Capacitor
C601,602	QCS11HJ-470	47pF	$\pm 5\%$	50V	Ceramic Capacitor
C603,604	QEB41EM-475	4.7 $\mu$ F	$\pm 20\%$	25V	L.L.C. Electrolytic Capacitor
C605,606	QEW41EA-476	47 $\mu$ F	+100%-10%	"	Electrolytic Capacitor
C607,608	QEW41HA-476	47 $\mu$ F	+100%-10%	50V	Electrolytic Capacitor
C609,610	QCS11HJ-150	15pF	$\pm 5\%$	"	Ceramic Capacitor
C611,612	QCS11HJ-181	180pF	"	"	"
C613,614	QFM41HK-473	0.047 $\mu$ F	$\pm 10\%$	"	Mylar Capacitor
C615,616	QCS11HJ-470	47pF	$\pm 5\%$	"	Ceramic Capacitor
C617,618	QCS11HJ-151	150pF	"	"	"
C619	QEW41HA-227	220 $\mu$ F	+100%-10%	"	Electrolytic Capacitor
C701,702	QEW71GH-688	6800 $\mu$ F	+50%-10%	42V	"
C705,706	QEW41CA-107	100 $\mu$ F	+100%-10%	16V	"
C707,708	QEW41CA-477	470 $\mu$ F	"	"	"
C709	QCF12HP-103	0.01 $\mu$ F	+100%-0%	500V	Ceramic Capacitor
C751	QEW41CA-107	100 $\mu$ F	+100%-10%	10V	Electrolytic Capacitor
C753	QEW41HA-475	4.7 $\mu$ F	"	50V	"
C754	QEW41AA-107	100 $\mu$ F	"	10V	"

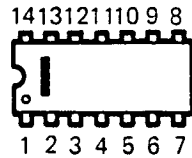
Others

Item No.	Part No.	Rating	Description
S301	QSL4312-004	For Service Manuals Contact <b>MAURITRON TECHNICAL SERVICES</b> 8 Cherry Tree Rd, Chinnor Oxon OX9 4QY Tel:- 01844-351694 Fax:- 01844-352554 Email:- enquiries@mauritron.co.uk	Lever Switch (Source)
S302,303	QSL4312-003		" (Tape)
S402	QSL2212-004		" (Loudness)
RY701	ESK1D24-216		Tab
	E43727-002		Fuse Clip
	E48965-002		

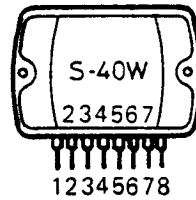
Transistor, IC and Diode Lead Identification



2SC1775AV(F)  
 2SC1775AV(F1)  
 2SA872AV(E)  
 2SB560(E or D)  
 2SD438(E)

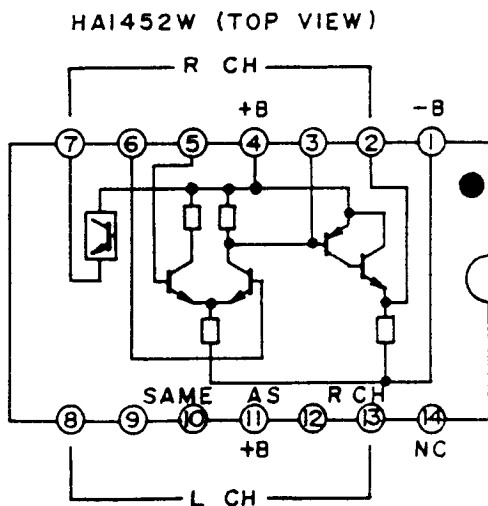


HA1452W

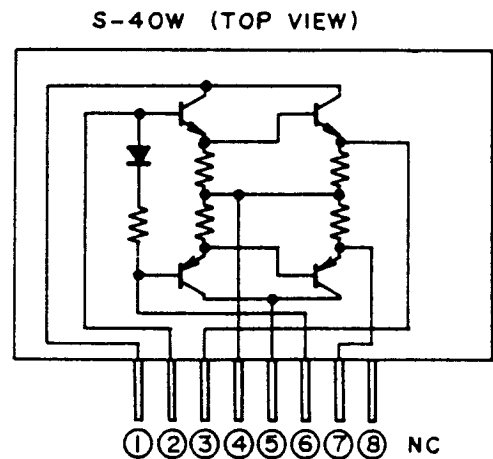


S-40W

IC Blocks



HA1452W



S-40W

(2) TPS-69 AC Primary P.C. Board Ass'y

( For European continent, U.K.  
Scandinavian countries, Finland and Australia )

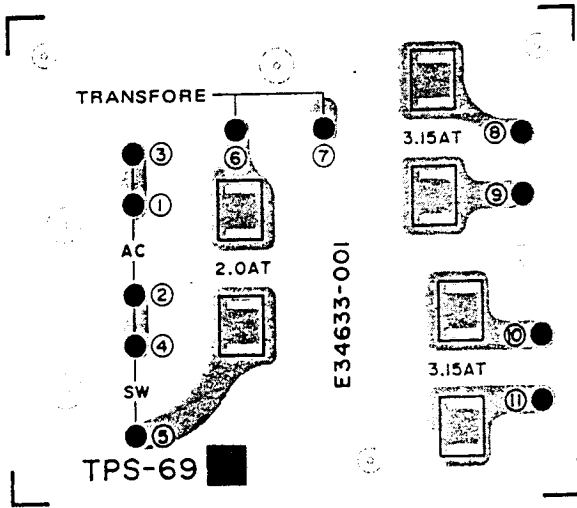


Fig. 14

(3) TPS-70 AC Primary P.C. Board Ass'y

( For Other countries except Canada )

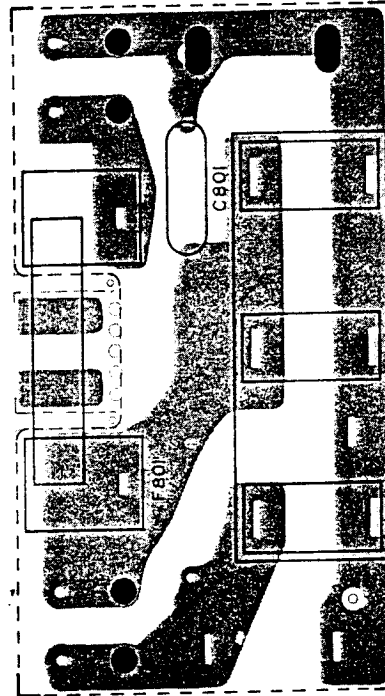


Fig. 15

TPS-69 ( For European continent, U.K.  
Scandinavian countries, Finland and Australia )

Item No.	Part No.	Rating	Description
	E43727-002 QHW2052-001 E48965-002		Tab Wire Clamp Fuse Clip

TPS-70A ( For Other countries except U.S.A. and Canada )

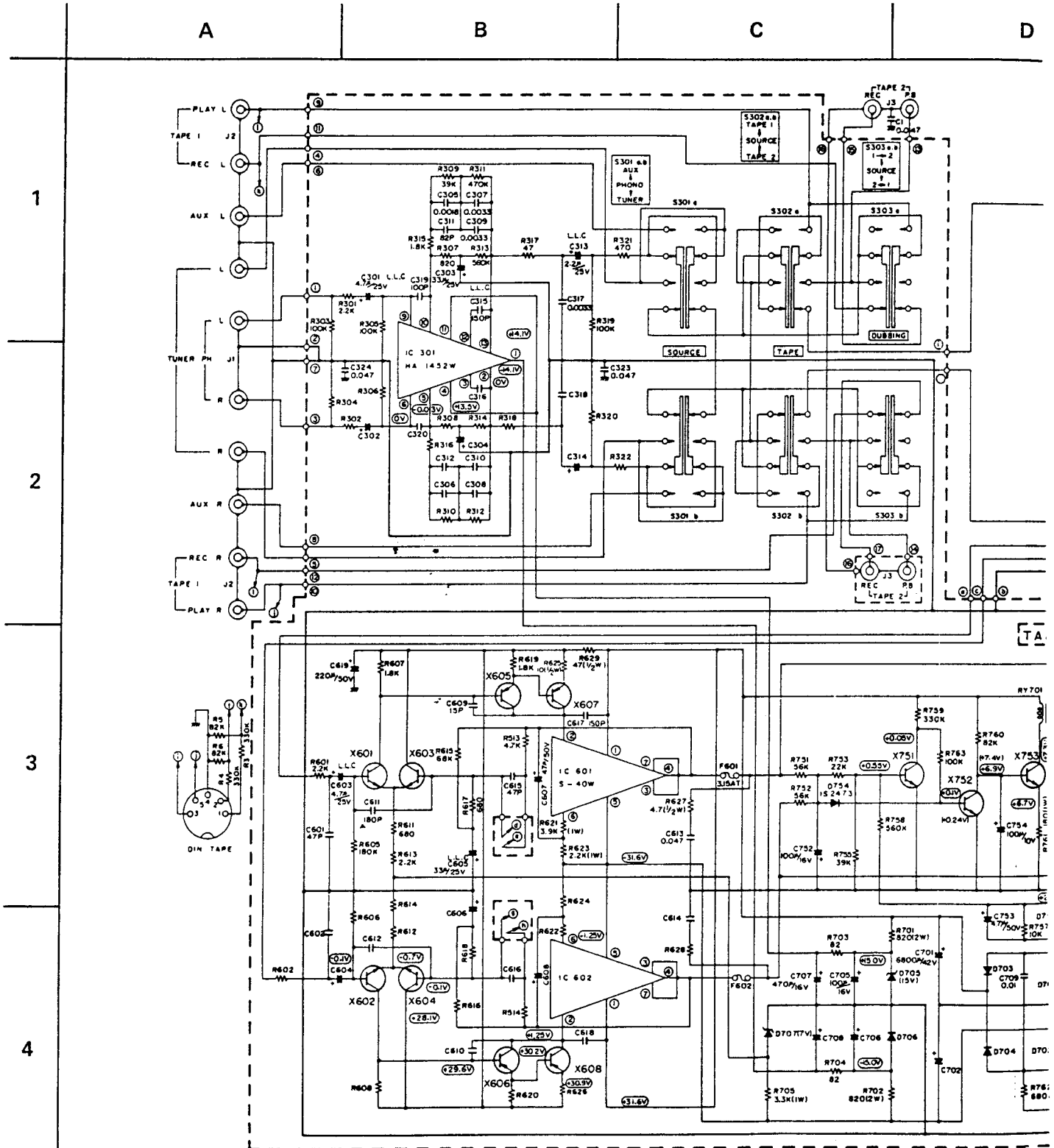
Item No.	Part No.	Rating	Description
J4	QMC0637-001 E03675-003 E43727-001 E40130		AC Socket Fuse Clip Tab "

TPS-70B ( For U.S.A. )

Item No.	Part No.	Rating	Description
J4	QMC0637-001 E03675-003 E43727-001 E40130		AC Socket Fuse Clip Tab. Tab.
C801	QFH72BM-103M	0.01 $\mu$ F	AC125V Metalized Mylar Capacitor

# JA-S11 Schematic Diagram

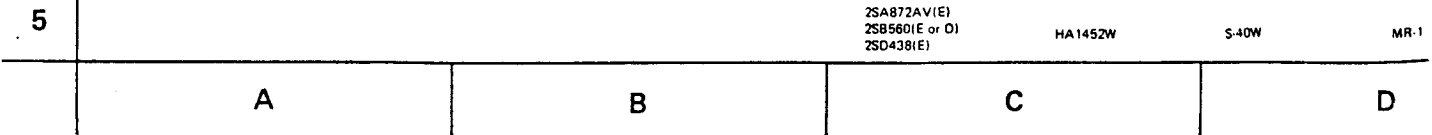
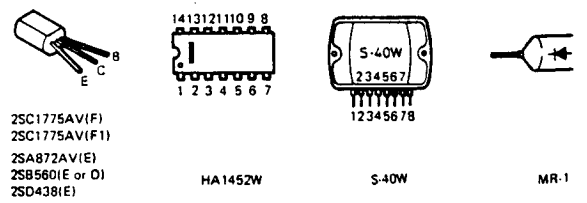
For Service Manuals Contact  
**MAURITRON TECHNICAL SERVICES**  
 8 Cherry Tree Rd, Chinnor  
 Oxon OX9 4QY  
 Tel:- 01844-351694 Fax:- 01844-352554  
 Email:- enquiries@mauritron.co.uk



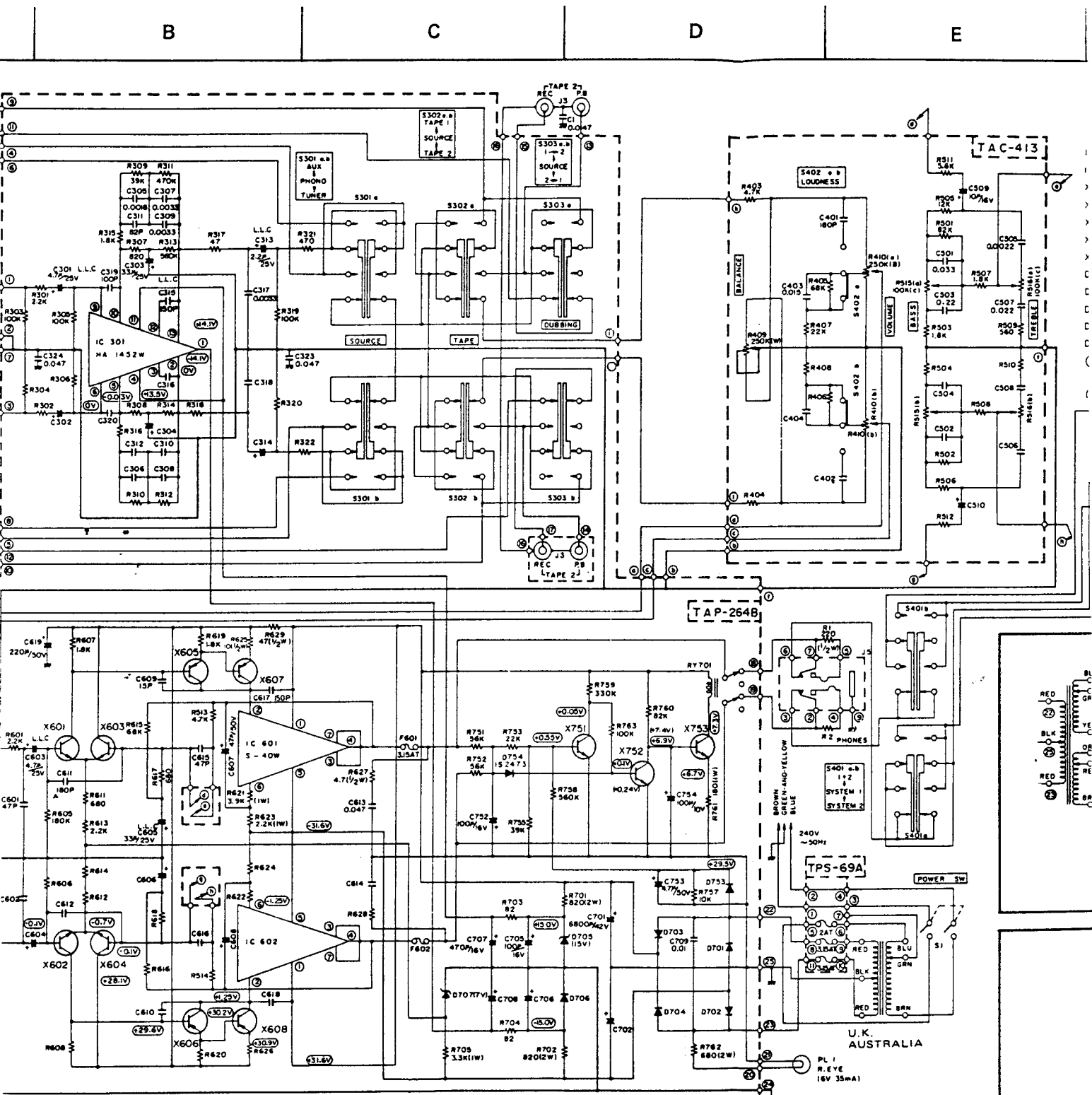
**Printed Circuit Board Location**

P.C. Board Ass'y	Description	Page
TXX-32	Main & Tone Control P.C. Board Ass'y	9
TPS-69	AC Primary P.C. Board Ass'y	13
TPS-70	AC Primary P.C. Board Ass'y	13

**Transistor, IC and Diode Lead Identifications**

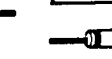
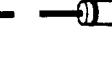
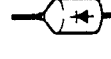
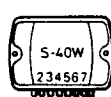
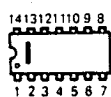
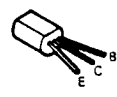


# ic Diagram



## Transistor, IC and Diode Lead Identifications

Part	Page
1 Tone Control P.C. Board Ass'y	9
2 Tone Control P.C. Board Ass'y	13
3 Tone Control P.C. Board Ass'y	13



2SC1775AV(F)  
2SC1775AV(F1)  
2SA872AV(E)  
2SB560(E or D)  
2SD438(E)

HA1452W

S-40W

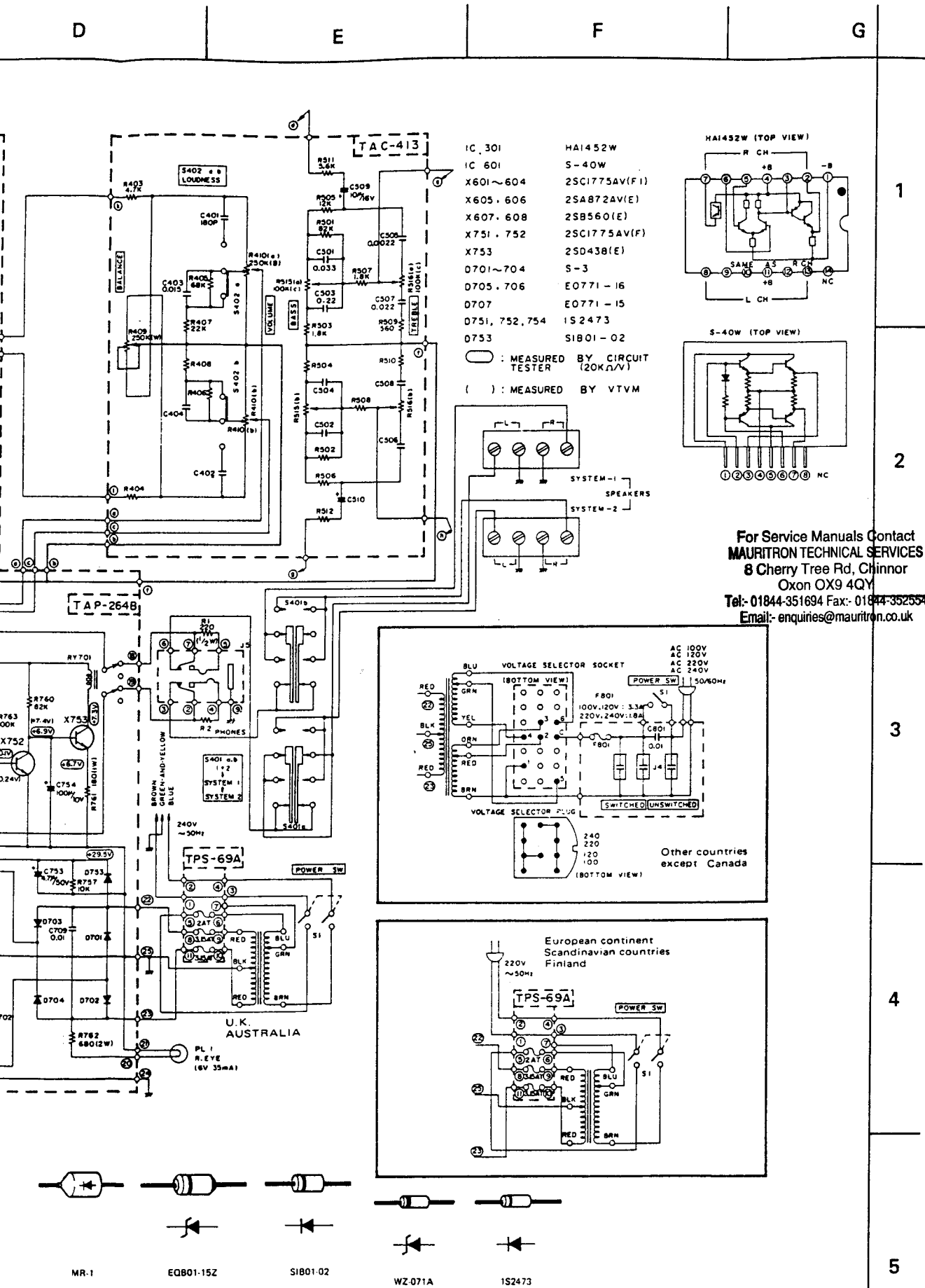
MR-1

EQB01-15Z

S1B01-02

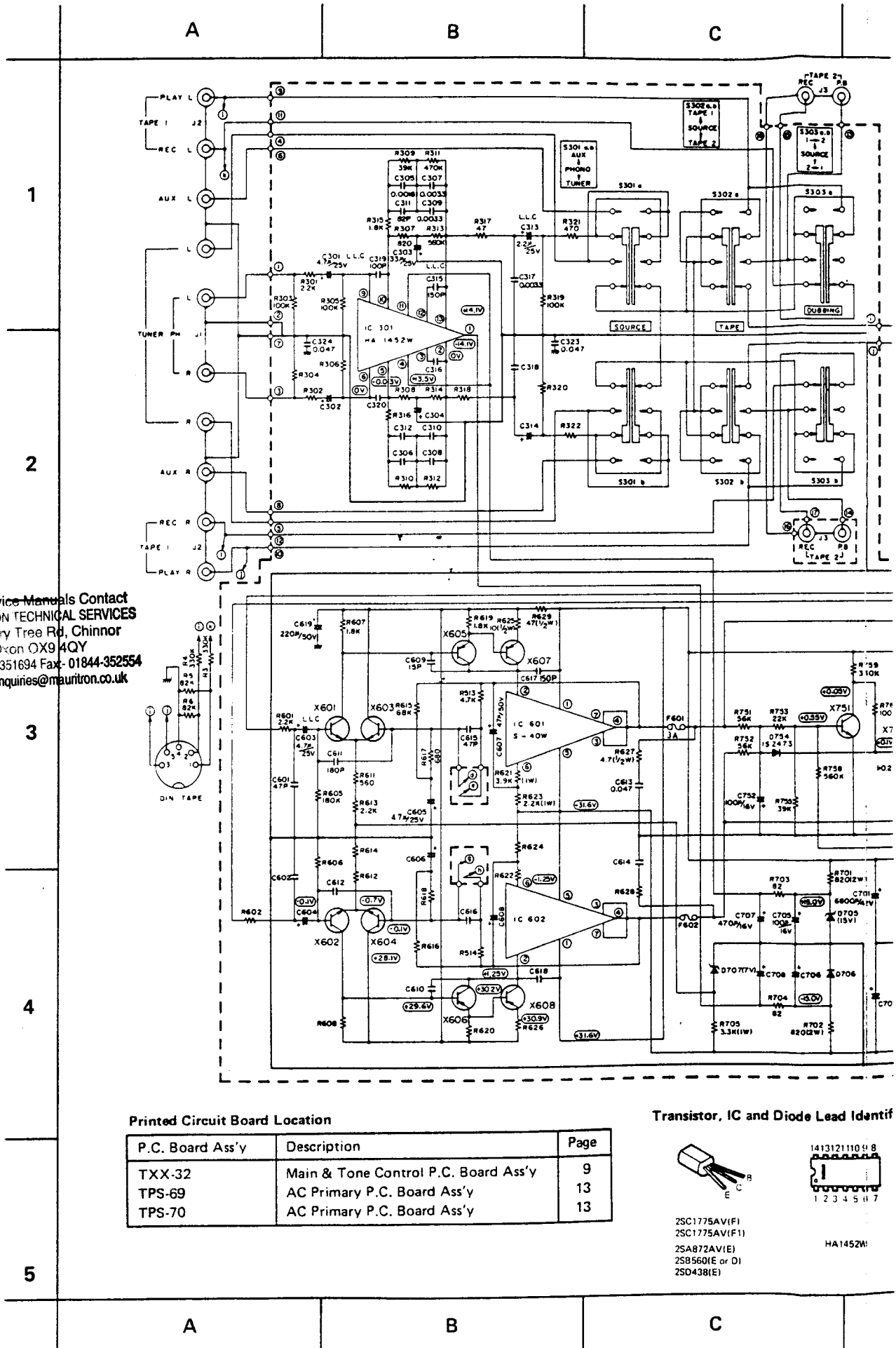
WZ-071A





For Service Manuals Contact  
**MAURITRON TECHNICAL SERVICES**  
 8 Cherry Tree Rd, Chinnor  
 Oxon OX9 4QY  
 Tel: 01844-351694 Fax: 01844-352554  
 Email: enquiries@mauritron.co.uk

# JA-S11 Schematic Diagram for U.S.A.

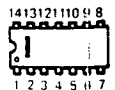
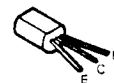


For Service Manuals Contact  
**MAURITRON TECHNICAL SERVICES**  
 8 Cherry Tree Rd, Chinnor  
 Oxon OX9 4QY  
 Tel: 01844-351694 Fax: 01844-352554  
 Email: enquiries@mauritron.co.uk

### Printed Circuit Board Location

P.C. Board Ass'y	Description	Page
TXX-32	Main & Tone Control P.C. Board Ass'y	9
TPS-69	AC Primary P.C. Board Ass'y	13
TPS-70	AC Primary P.C. Board Ass'y	13

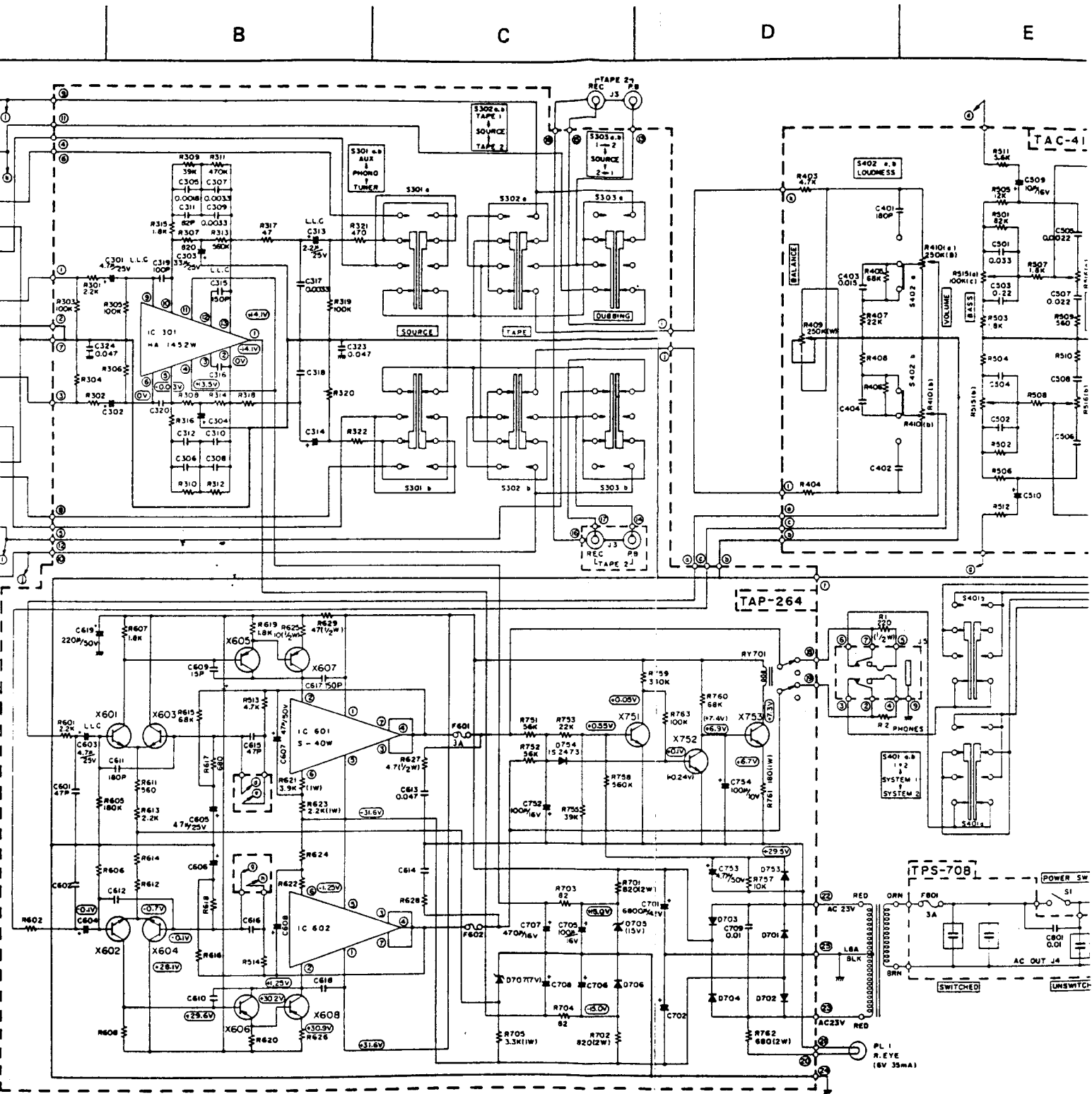
### Transistor, IC and Diode Lead Identif



2SC1775AV(F)  
 2SC1775AV(F1)  
 2SA872AV(E)  
 2SB560(E or D)  
 2SD438(E)

HA1452W

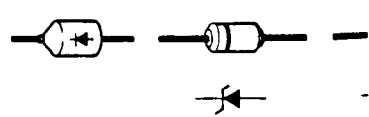
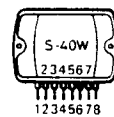
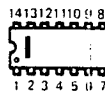
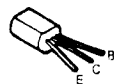
# Schematic Diagram for U.S.A.



## Component Board Location

Ass'y	Description	Page
	Main & Tone Control P.C. Board Ass'y	9
	AC Primary P.C. Board Ass'y	13
	AC Primary P.C. Board Ass'y	13

## Transistor, IC and Diode Lead Identifications



2SC1775AV(F)  
2SC1775AV(F1)  
2SA872AV(E)  
2SB560(E or D)  
2SD438(E)

HA1452W

S-40W

MR-1

EQB01-15Z

S

B

C

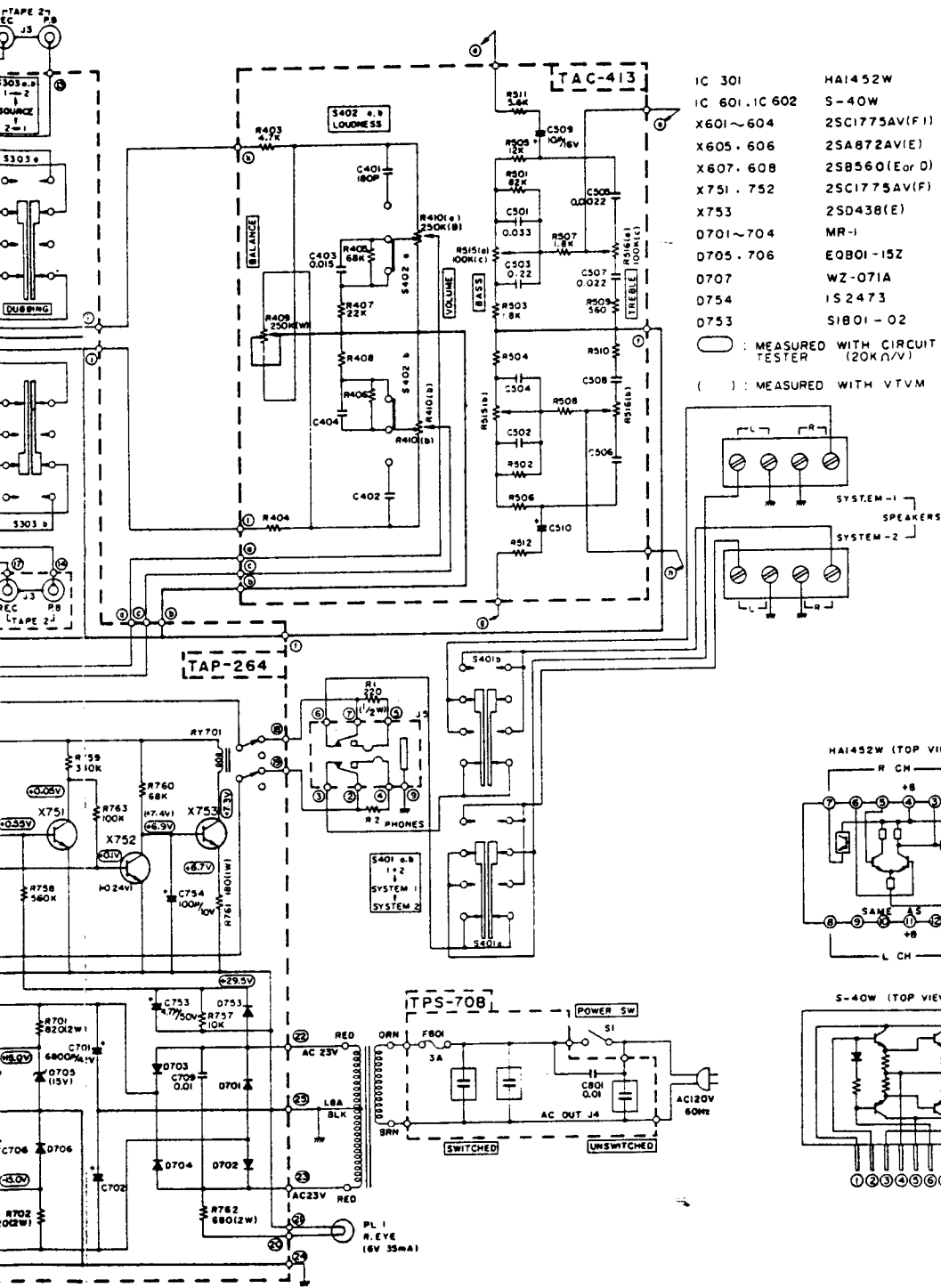
D

E

D

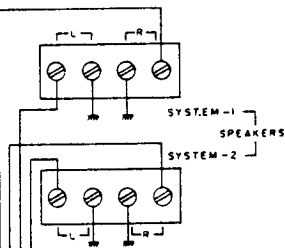
E

F



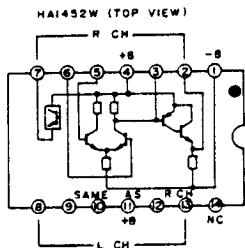
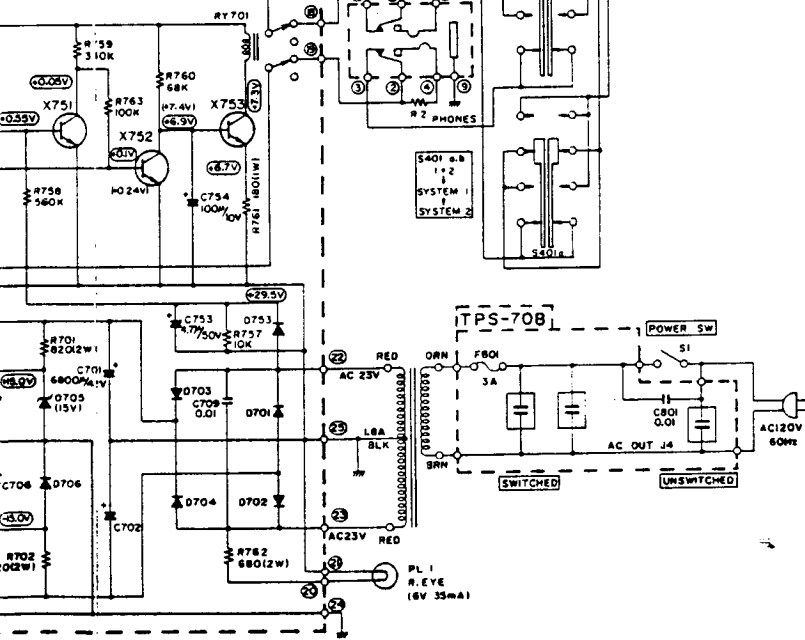
- |                |                |
|----------------|----------------|
| IC 301         | HA1452W        |
| IC 601, IC 602 | S-40W          |
| X601 ~ 604     | 25C1775AV(F1)  |
| X605 - 606     | 25A872AV(E)    |
| X607 - 608     | 25B560(E or D) |
| X751 - 752     | 25C1775AV(F)   |
| X753           | 25D438(E)      |
| 0701 ~ 0704    | MR-1           |
| 0705 - 706     | EQB01-15Z      |
| 0707           | WZ-071A        |
| 0754           | 1S2473         |
| 0753           | SIB01-02       |
- : MEASURED WITH CIRCUIT TESTER (20KΩ/V)  
 ( ) : MEASURED WITH VTVM

1

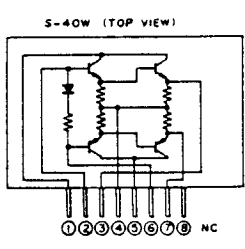


2

For Service Manuals Contact  
**MAURITRON TECHNICAL SERVICES**  
 8 Cherry Tree Rd, Chinnor  
 Oxon OX9 4QY  
 Tel: 01844-351694 Fax: 01844-352554  
 Email: enquiries@mauritron.co.uk

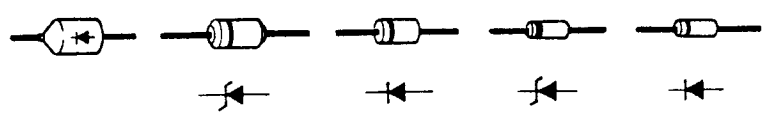
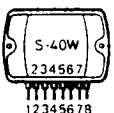
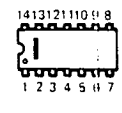


3



4

Pin Lead Identifications



- |         |       |      |           |          |         |        |
|---------|-------|------|-----------|----------|---------|--------|
| HA1452W | S-40W | MR-1 | EQB01-15Z | SIB01-02 | WZ-071A | 1S2473 |
|---------|-------|------|-----------|----------|---------|--------|

5

D

E

F

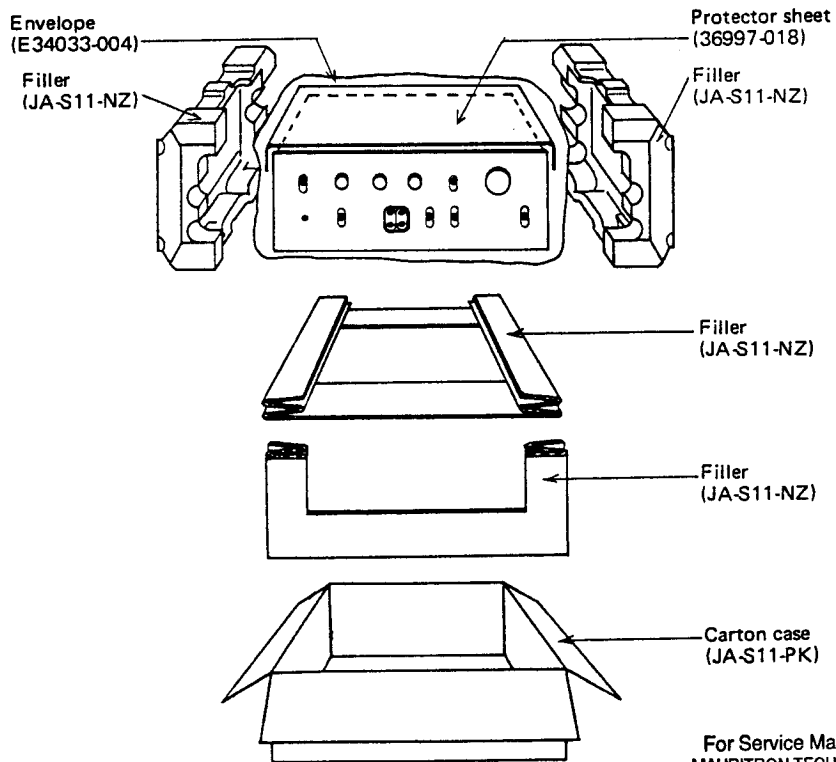
### Differences between Models intended for Different Areas

	European continent Scandinavian countries Finland	U.K. Australia	U.S.A.	Other areas except Canada
Power supply	AC 220V, 50Hz	AC 240V, 50/60Hz	AC 120V, 60Hz	AC100-240V selectable, 50/60Hz
Power consumption	235 watts	300 watts	90 watts	235 watts
Line voltage selector	Not fitted	Not fitted	Not fitted	Fitted
Power outlets	Not fitted	Not fitted	Fitted	Fitted

This amplifier has been preset to the line voltage in the areas where it is to be sold as shown in the above table.  
To confirm with local safety standards in some countries, power outlets may not be provided.

(Table 3)

### Packing Materials



For Service Manuals Contact  
**MAURITRON TECHNICAL SERVICES**  
 8 Cherry Tree Rd, Chinnor  
 Oxon OX9 4QY  
 Tel:- 01844-351694 Fax:- 01844-352554  
 Email:- enquiries@mauritron.co.uk

### Accessories List

Part No.	Part Name	Remarks	Q'ty
E30580-524D	Instruction Book		1
BT-20020C	JVC Warranty Card	for U.S.A. only	1
BT-20023	Service Procedure	"	1
BT-20024B	Special Reply Card	"	1
E41202-2	Envelope	for Accessories	1
QMF60S1-3R3	Fuse	3.3A: 100/120V	1
QMF60S1-1R8	"	1.8A: 220/240V	1
QMF51A2-3R15	"	Protect	2
E64208-001	Envelope	for Fuse	1

Other areas except Canada